

SIGNODE **HBX-4300**TM

Semiautomatic plastic strapping machine

- **Unmatched simplicity**
Easy to operate and maintain
- **Jam-resistant technology**
- **Bi-directional coil loading**



Up to
70
straps per
minute!

Model is shown with optional features.

SIGNODE[®]

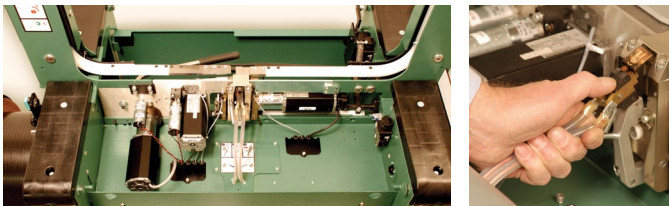
SIGNODE HBX-4300™

Semiautomatic plastic strapping machine

The new HBX-4300™ semiautomatic strapping machine is the simplest, most reliable general-duty strapping machine on the market today. With 40% fewer parts and more timesaving features, the HBX-4300 machine simplifies operation and maintenance to save you time and money.

Unmatched simplicity

The HBX-4300's simple yet durable design eliminates the use of drive belts and clutches. This combined with other trouble-free maintenance elements like toolless hot knife removal and jam-resistant technology make it easier to operate and more cost effective to maintain than other strapping machines.



Bi-directional coil loading

Strap coil pays off from either direction, eliminating the downtime and material waste resulting from incorrect coil loading.

Out-of-strap feature

The out-of-strap feature ejects the strap at the end of the coil to eliminate downtime and errors associated with removing the excess strap left in the machine.

Fully accessible strap path

No tools required. Simply raise the tabletop and lift guide for access to strap path.

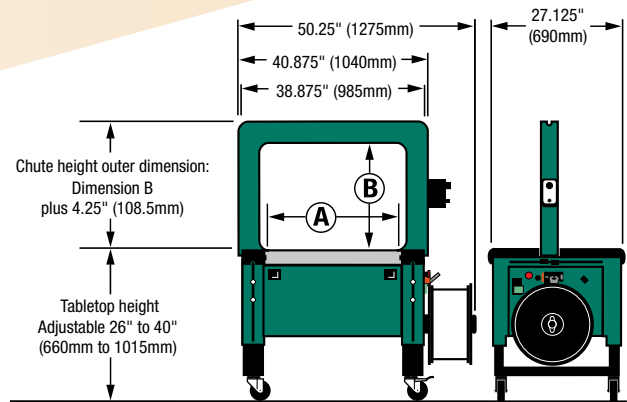


Automatic cut-off and refeed option

Signode's patented automatic cut-off and refeed feature automatically ejects misfed strap, rethreads itself and continues strapping without operator intervention.

Small Anvil machine

The HBX-4300 Small Anvil machine is designed to accommodate packages as small as 2-3/4" (70 mm) wide by 3/4" (19 mm) high. This machine is only available in a 16" x 10" (405 mm x 255 mm) chute size.



HBX-4300 Chute inner dimensions

	inch	mm	inch	mm	inch	mm	inch	mm
A*	16	405	20	510	28	710	33	840
B	10	255	15	380	20	510	30	760

*Inner dimension A is maximum package size.

HBX-4300 Specifications

Cycle rate: Up to 70 straps per minute. Actual production will vary depending on package size, chute size and operator dexterity.

Maximum package weight: 100 lbs

Maximum applied tension: Up to 250 lbs (1110 N)

Strapping: 9 mm or 12 mm Contrax polypropylene strapping

Electrical requirements: 120 volt, 60Hz, FLA 7 amp;
3 phase voltage optional

Shipping weight: 600 lbs

HBX-4300 Options

- Automatic cut-off and refeed
- Conveyor interlock kit
- EZ clear button
- EZ height adjustable leg kit — 26" to 40" (660 mm to 1015 mm)
- Floor lock kit
- Indicator light alerts operator to low strap/out-of-strap conditions and machine malfunction
- Roller top
- Single or dual compression
Single: Up to 120 lbs at 90 lbs psi
Dual: Up to 240 lbs at 90 lbs psi

The HBX-4300 is also available in a stainless steel model as well as an automatic model, the HBX-4330.

SIGNODE®

3610 West Lake Avenue
Glenview, Illinois 60026
1-800-323-2464
www.signode.com